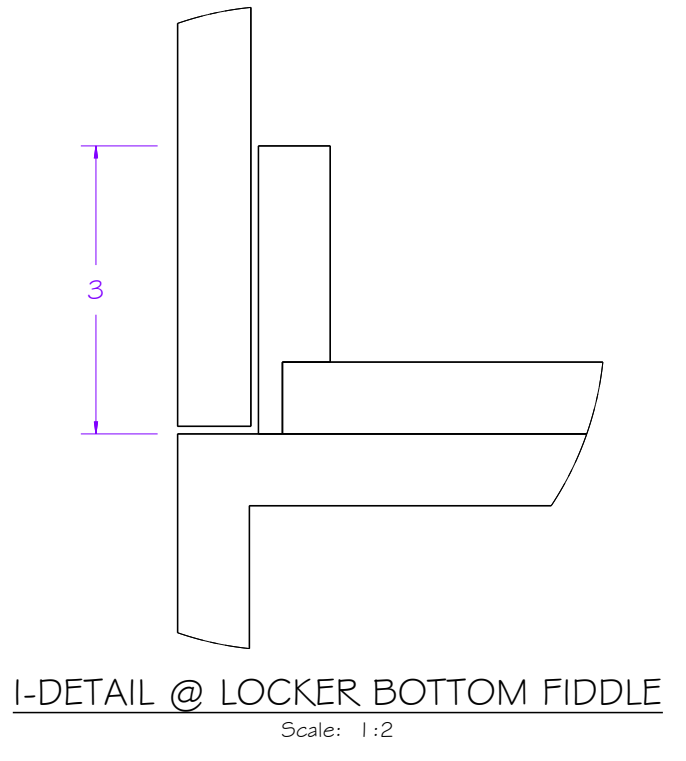
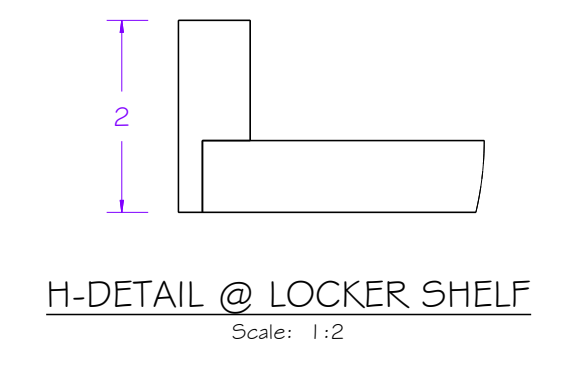
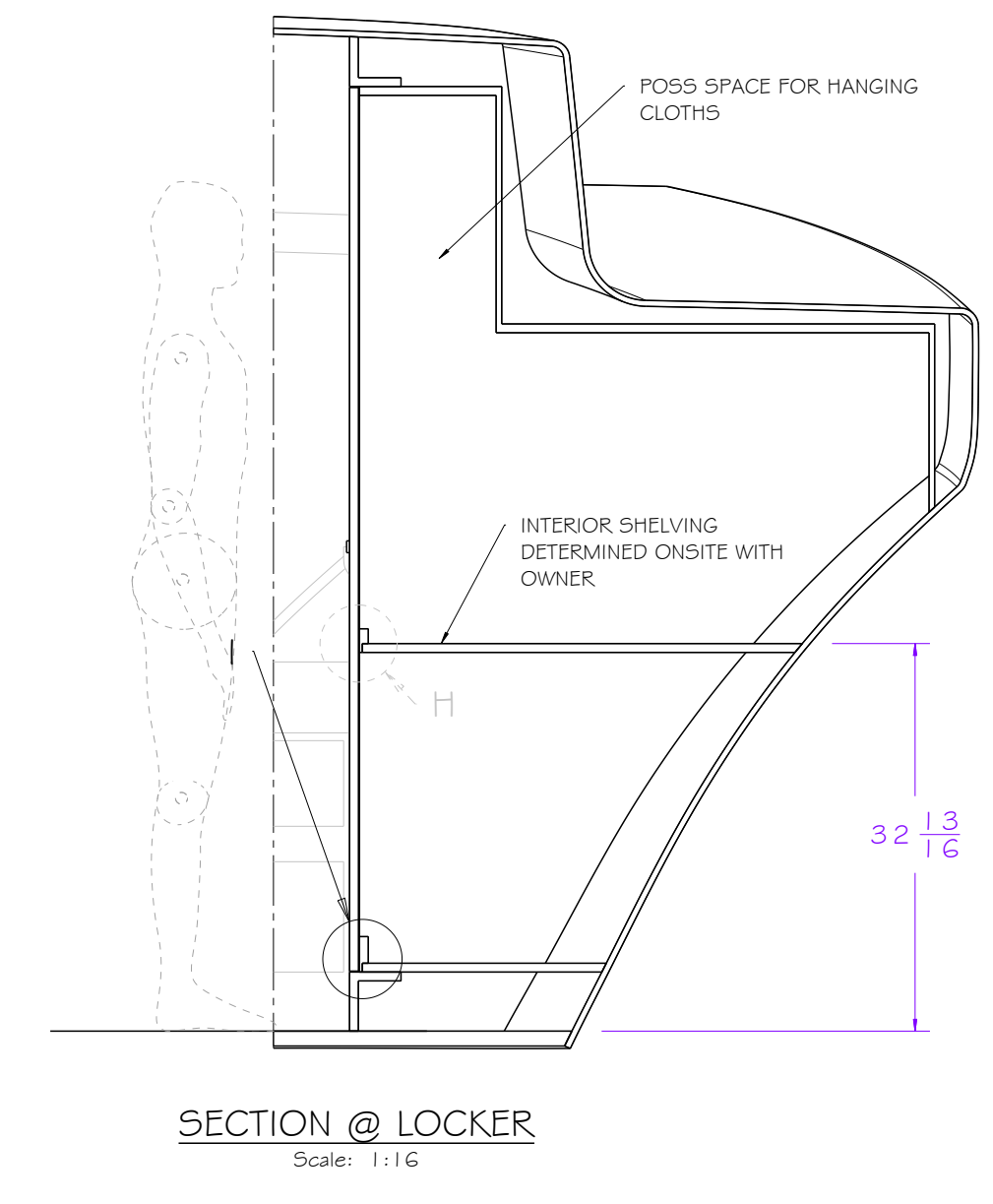
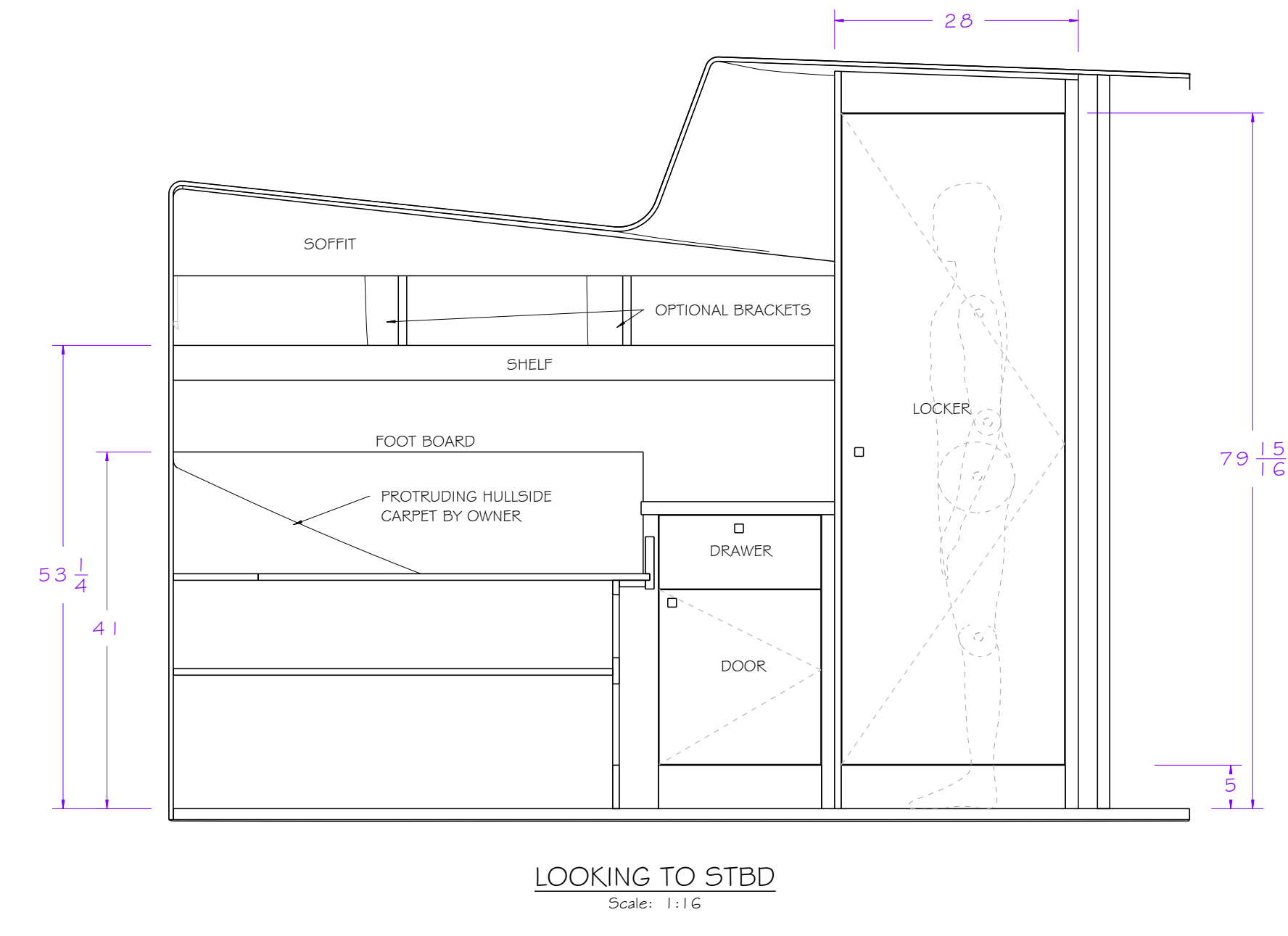
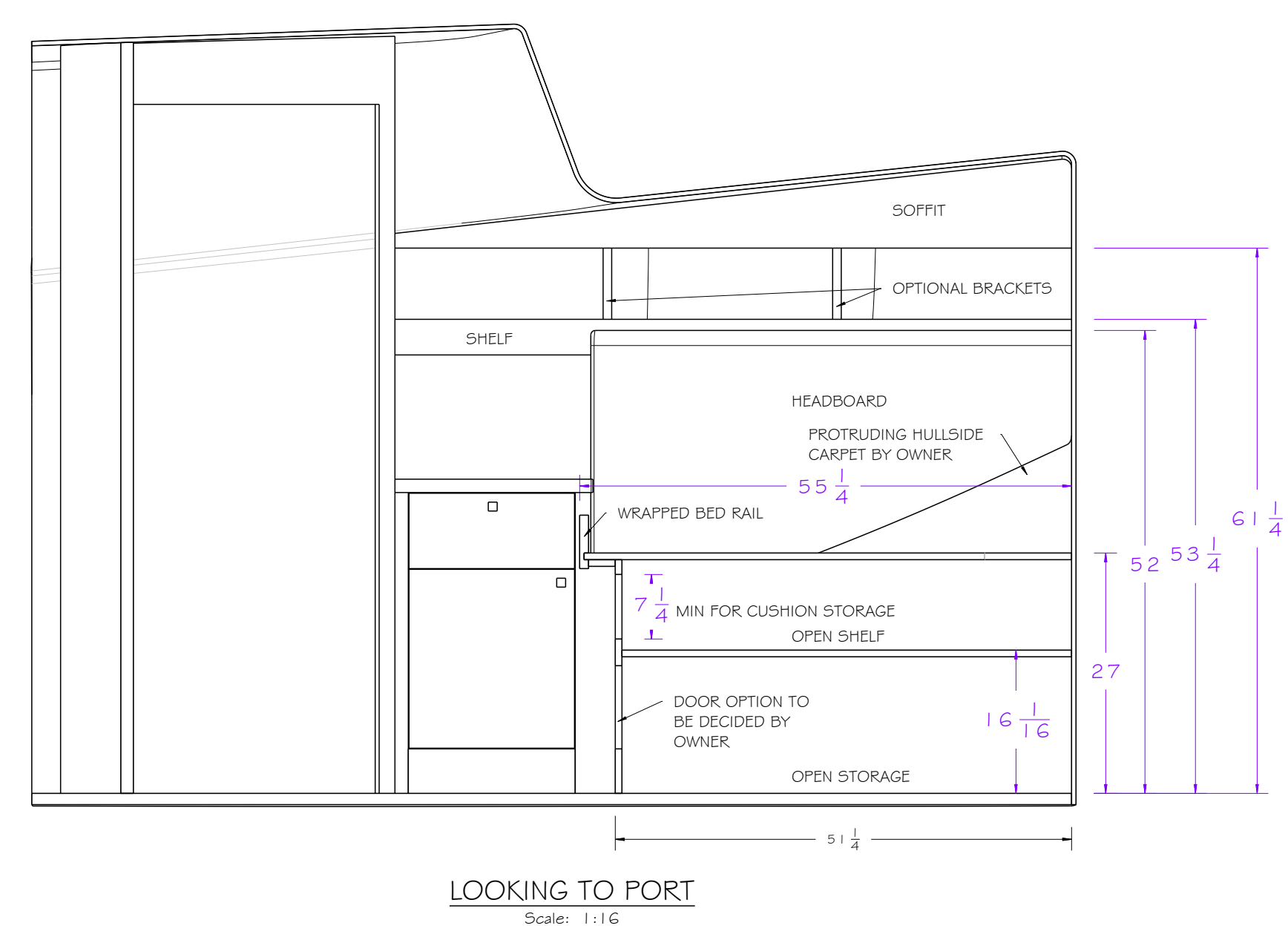
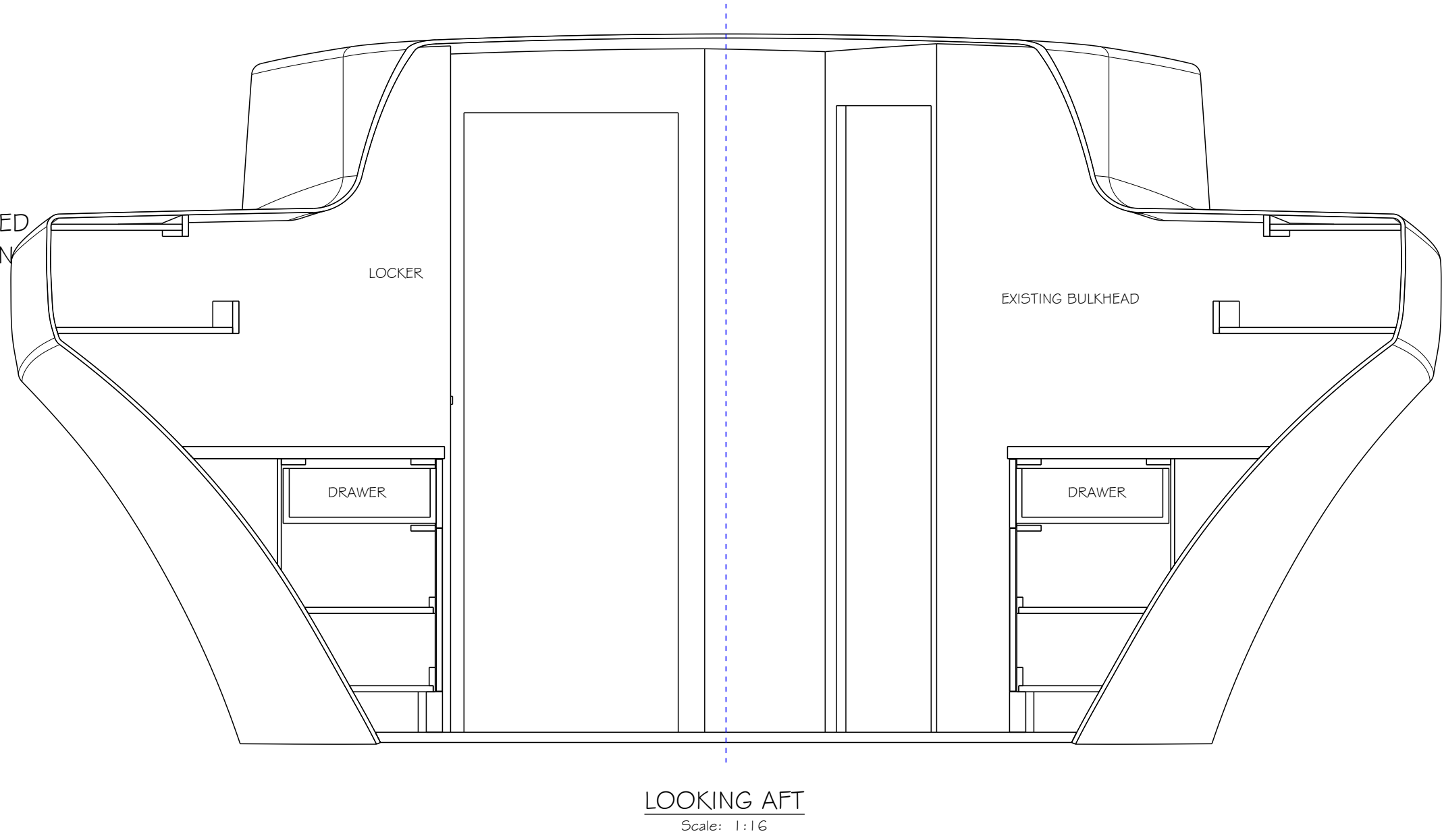
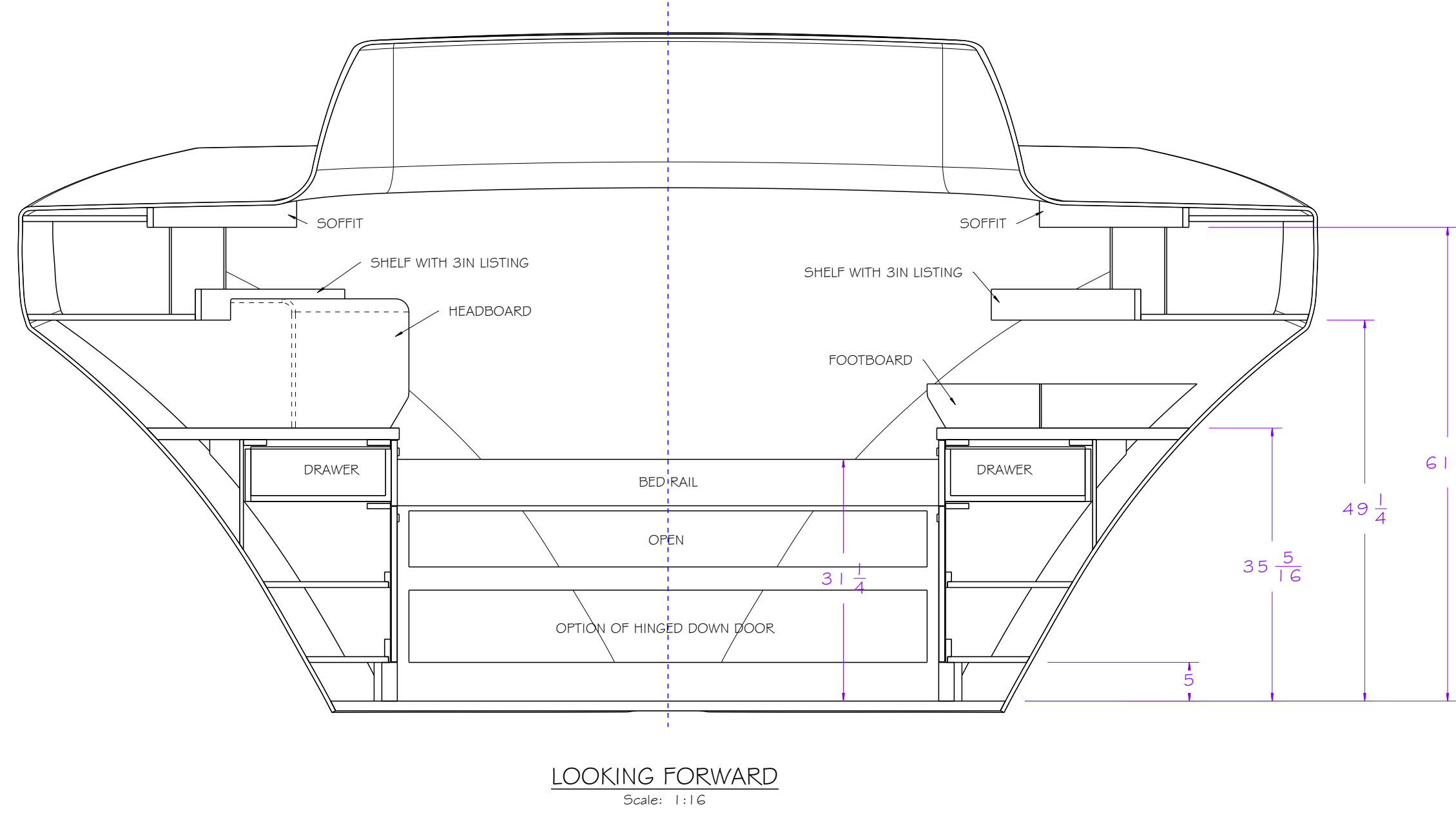
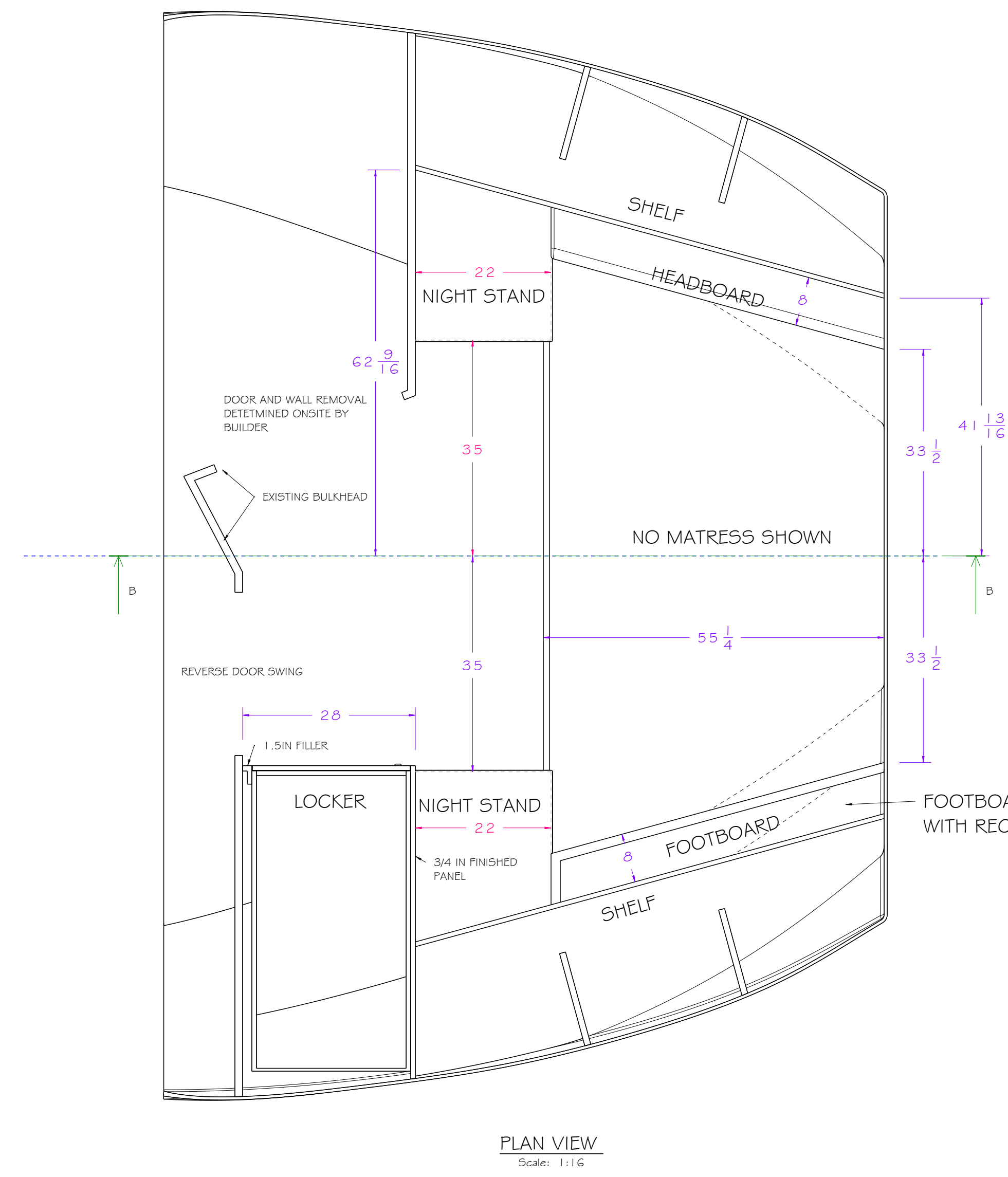


**NOTES**

- ALL MEASUREMENTS TO BE CONFIRMED BY BUILDER ONSITE
- ALL FINISHES AND MATERIALS BY OWNER/BUILDER
- THIS DRAWING IS FOR SPACE PLANNING ONLY

REVISION DATE	ISSUED : November 23, 2023 (3:30AM)	DRAWING BY : PVT	CHECKED BY :



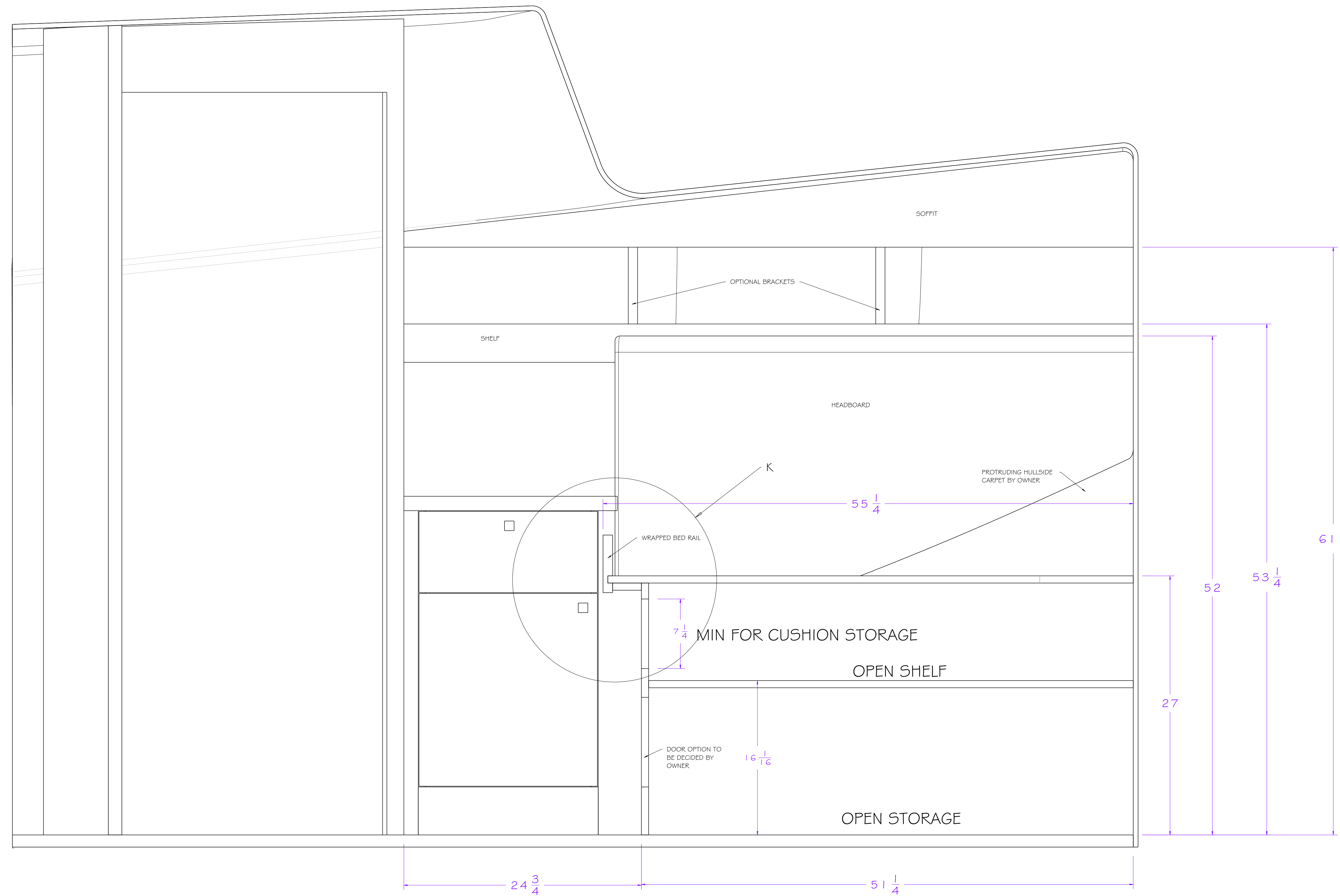
**MY BLUE C'S**

STATUS	FOR CONSTRUCTION
SHEET# 1 / 3	0732-605-03 REV A

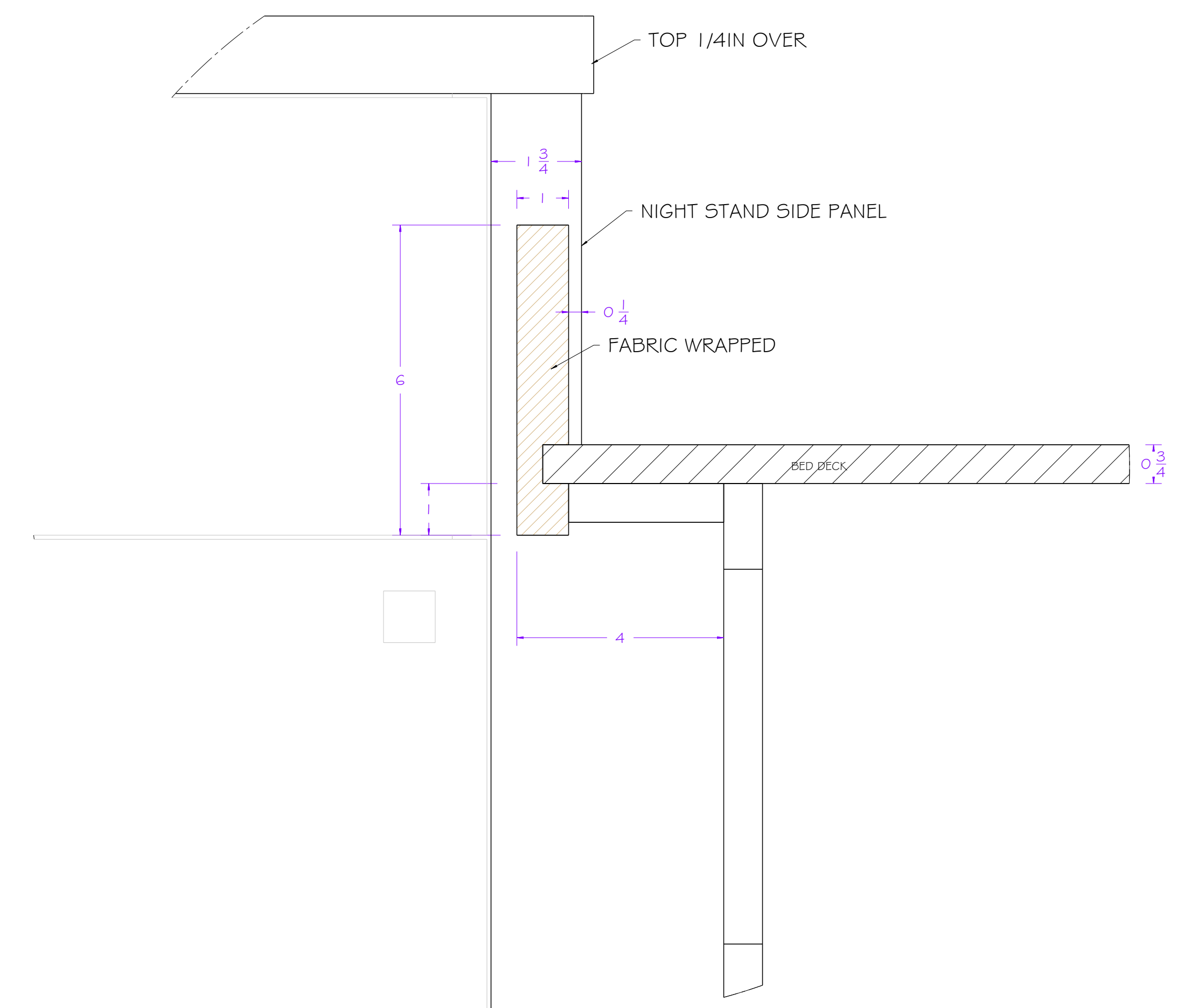


NOTES

- ALL MEASUREMENTS TO BE CONFIRMED BY BUILDER ONSITE
- ALL FINISHES AND MATERIALS BY OWNER/BUILDER
- THIS DRAWING IS FOR SPACE PLANNING ONLY



LOOKING TO PORT  
Scale: 1:6



Detail K @ BED RAIL  
Scale: 1:2

REVISION	ISSUED : November 23, 2023 (SMA)	DRAWING BY : PVT	CHECKED BY :
REVISION DATE			

MY BLUE C's

STATUS	FOR CONSTRUCTION
SHEET# 3 / 3	0732-605-03 REV A